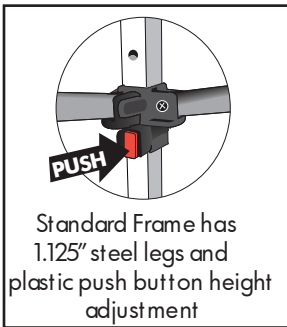
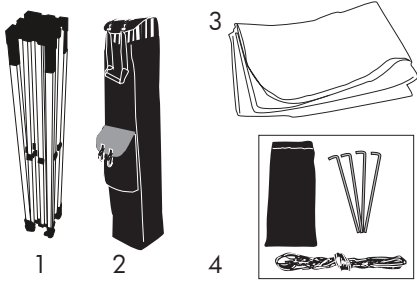


10 x 10 STANDARD TENT

Product Parts

- 1- Frame
- 2- Soft Case with Wheels
- 3- Canopy
- 4- Stake Kit

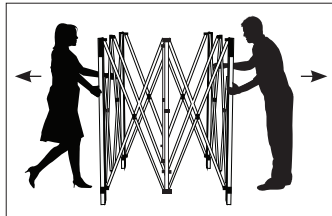


Set-Up

Step 1

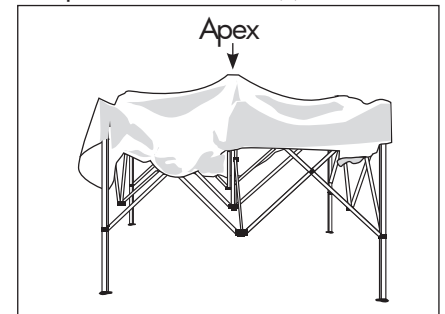
Place Frame (1) at your desired location.

In tandem with another person, separate the legs of the Frame (1) until they are extended a full arms length.



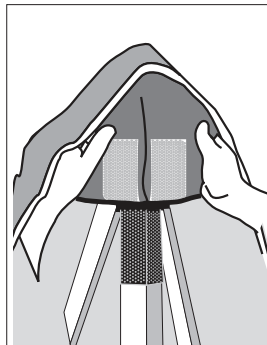
Step 2

Unfold your Canopy (3) and drape over the Frame (1). Position the apex of the Canopy (3) with the center pole of the Frame (1).



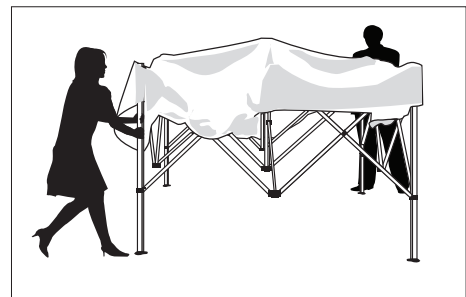
Step 3

Attach the Canopy (3) by connecting the loop strips on the Canopy (3) corners with the hook strips on the four legs of the Frame (1).



Step 4

Stand diagonal to each other, lift and separate the legs of the Frame (1). The Frame (1) will open a little at a time so alternate ends until the Frame (1) no longer expands.

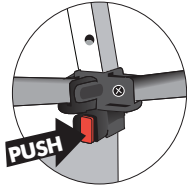
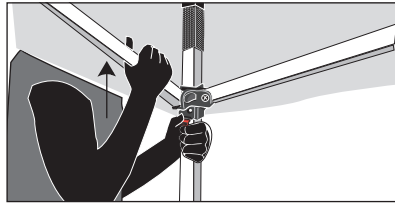


DO NOT DRAG FRAME-THIS COULD BEND THE LEGS

Set-Up Continued...

Step 5

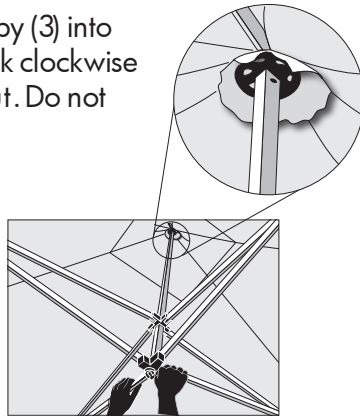
With top lever or button in the unlock position, lift the framework upwards until it locks into place on the legs of the Frame (1).



Push in button

Step 7

Lift the apex of the Canopy (3) into place by turning the crank clockwise until the Canopy (3) is taut. Do not over-crank.



Step 6

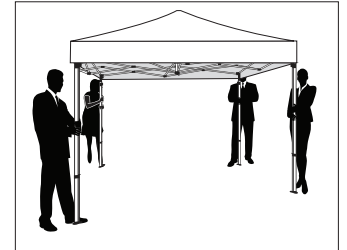
Place your foot on the base of the tent leg as you release and extend the telescoping legs. Raise the tent to your desired height and lock the legs into place.



Place your foot on the base as you lift

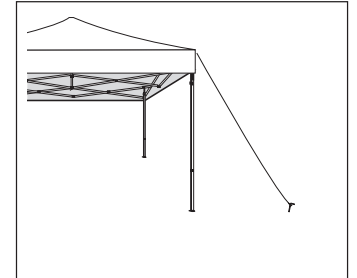
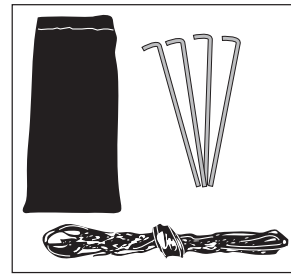
NOTE:

To move an assembled frame, make sure a person is located at each leg. Lift and transport carefully in unison.



Secure with Stakes

Secure by looping rope through the "D" ring located on each corner of the canopy.



***FRAME MUST BE SECURED DOWN TO PREVENT WIND FROM LIFTING TENT AND CAUSING DAMAGE. NOT SECURING TENT PROPERLY VOIDS THE WARRANTY.**

Storage

Remove Canopy (3) from Frame (1) and collapse. Store collapsed Frame (1) in soft case (provided)

Store in a cool dry location.
To clean, wipe with damp cloth.



Soft Case included

MAKE SURE TO TAKE SPECIAL CARE TO NOT DRAG THE FRAME WHEN SETTING UP OR TAKING DOWN.